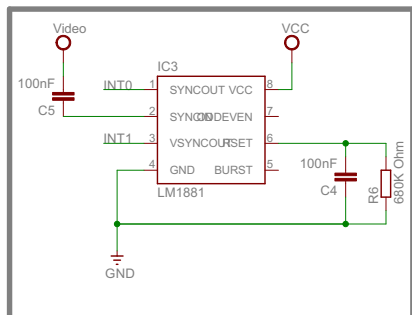
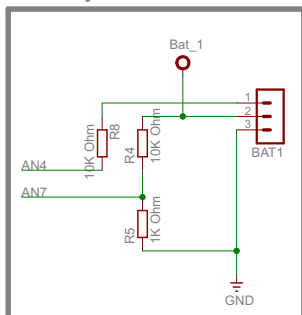


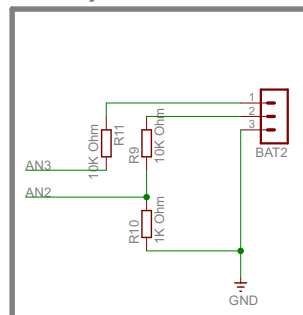
LM1881 Circuit



Battery 1 Circuit



Battery 2 Circuit



Released under the Creative Commons Attribution Share-Alike 3.0 License  
<http://creativecommons.org/licenses/by-sa/3.0>

SimpleOSD OPEN Design by Melih Karakelle from Flytron.com

Visit the DIY-OSD project on rgroups for firmware  
<http://www.rgroups.com/forums/showthread.php?t=1473207>

TITLE: SimpleOSD_OPEN	
Document Number:	REV:
Date: 01.10.2011 08:51:22	Sheet: 1/1